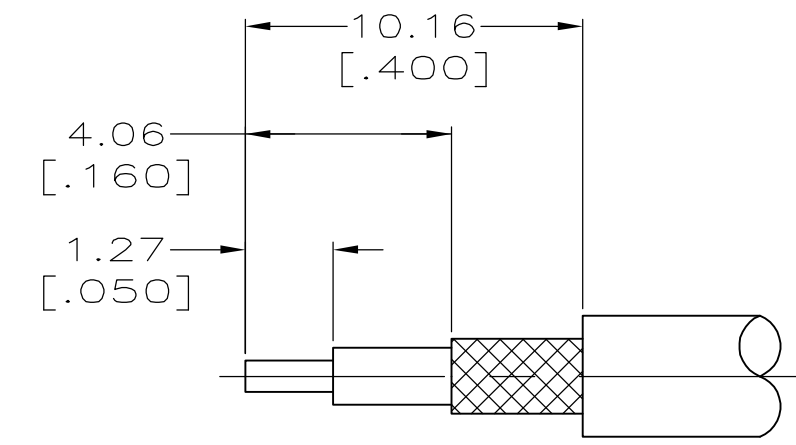
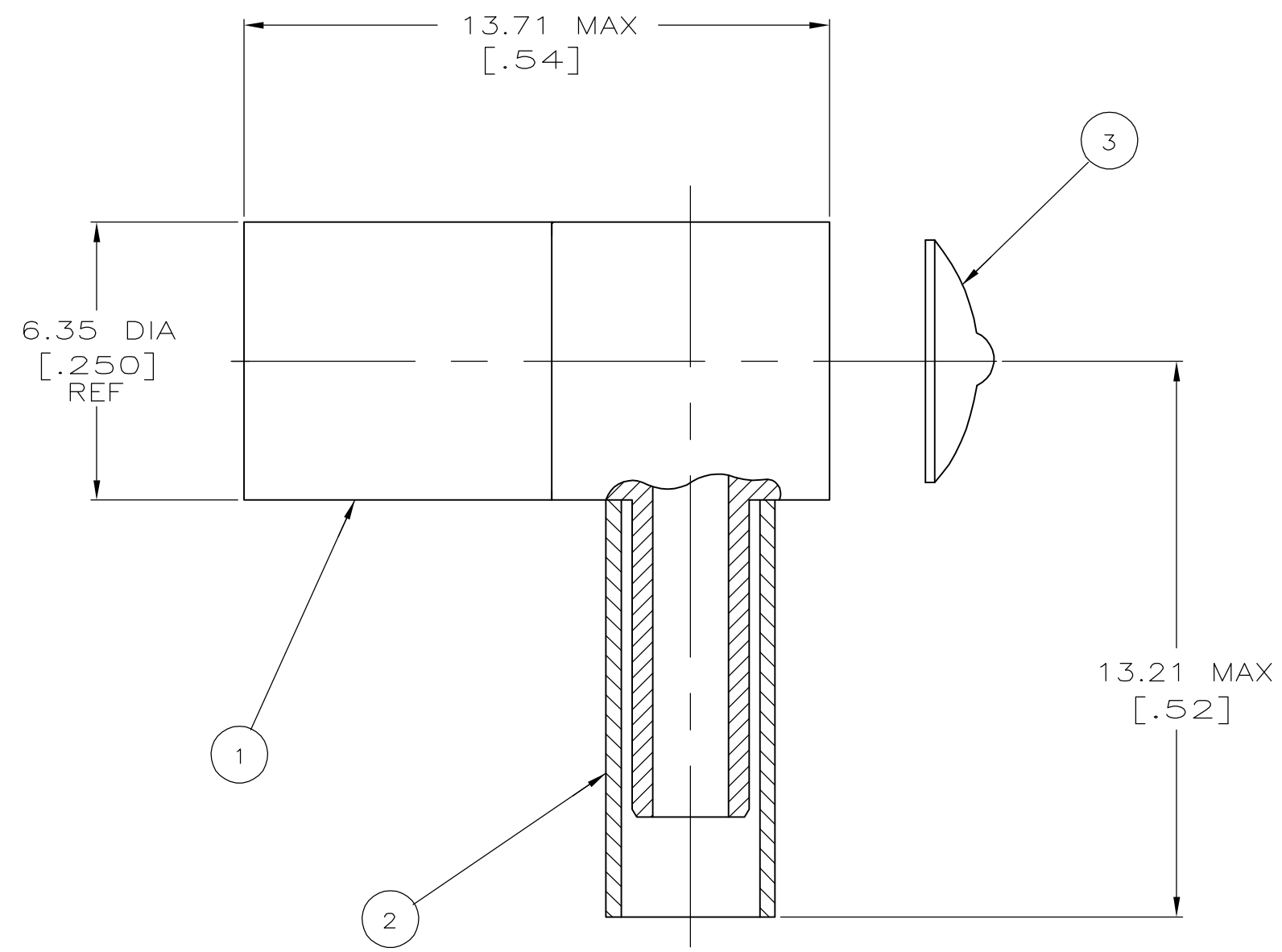


THIS DRAWING IS UNPUBLISHED. RELEASED FOR PUBLICATION
 © COPYRIGHT 2005 BY TYCO ELECTRONICS CORPORATION. ALL RIGHTS RESERVED.

LOC	DIST	REVISIONS					
AJ	16	P	LTR	DESCRIPTION	DATE	OWN	APVD
		L		REVISED PER EC 0514-0457-04	04NOV05	TS	JL

1. INTERFACE PER MIL-C-39012.
2. SEE INSTRUCTION SHEET 408-2987-9.
3. USES SCREW MACHINED CONTACT.



RECOMMENDED STRIP LENGTHS
SCALE NTS

OBSOLETE	C	58483-1	.151	HX4-1637	414013-3	1-413889-4	414364-6	RG 174,188,316(ALL DBL SHIELDED)	3 1-414363-4
SUPERSEDED BY 1-414363-1									
	C	58483-1	.151	HX4-1637	414013-3	1-413889-4	414364-1	RG 174,188,316(ALL DBL SHIELDED)	1-414363-2
	C	58483-1	.151	HX4-1637	414013-3	1-413889-4	414364-1	RG 174,188,316(ALL DBL SHIELDED)	1-414363-1
OBSOLETE	A	58483-1	.105	HX4-1637	414013-3	1-413889-5	414364-4	RG 178,196	414363-9
	A	58483-1	.105	HX4-1637	414013-3	1-413889-5	414364-3	RG 178,196	414363-8
OBSOLETE	C	58483-1	.151	HX4-1637	414013-3	1-413889-4	414364-2	RG 174,188,316(ALL DBL SHIELDED)	414363-6
	B	58483-1	.128	HX4-1637	414013-3	1-413889-3	414364-2	RG 174,188,316	414363-5
	C	58483-1	.151	HX4-1637	414013-3	1-413889-4	414364-1	RG 174,188,316(ALL DBL SHIELDED)	414363-4
	B	58483-1	.128	HX4-1637	414013-3	1-413889-3	414364-1	RG 174,188,316	414363-3

POSITION LETTER	AMP DIE SET	HEX SIZE	DANIELS DIE SET	3 END CAP QTY=1	2 FERRULE QTY=1	1 PLUG ASSY QTY=1	CABLE	PART NO
	AMP PRO-CRIMPER FOR BRAID CRIMP	M 22520/5-01 FOR BRAID CRIMP						

TOOLING INFORMATION

THIS DRAWING IS A CONTROLLED DOCUMENT.

DIMENSIONS: mm [INCHES]	TOLERANCES UNLESS OTHERWISE SPECIFIED:	DWN B. MOYER 19JUN92		Tyco Electronics Corporation		
		CHK J. FLANAGAN 25JUN92		Harrisburg, PA 17105-3608		
		APVD -	NAME	PLUG, RTANG CRIMP, HEX CRIMP, SMB		
			PRODUCT SPEC	-		
			APPLICATION SPEC	-		
MATERIAL	FINISH	WEIGHT	SIZE	CAGE CODE	DRAWING NO	RESTRICTED TO
-	-	-	A2	00779	414363	-
CUSTOMER DRAWING			SCALE	SHEET	REV	
			8:1	1 of 1	L	

414363

A